


|  |       |                 |         |                    |
|--|-------|-----------------|---------|--------------------|
|  <p><b>MORI</b><br/>FOUNDATION<br/>TECHNOLOGY</p> | SERIE | <p><b>M</b></p> | MODELLO | <p><b>M21E</b></p> |
|  | TYPE  |                 | MODEL   |                    |
|  | TYPE  |                 | MODEL   |                    |
|  | TYP   |                 | TYP     |                    |



The **M 21E** is characterised by excellent **versatility** and **compactness**. It has been specifically designed for the execution of micro-piles, tie rods, etc., in particularly uncomfortable and narrow internal and external working areas, thanks to its **separate power pack**. Electro-welded steel frames provide for its **sturdiness**. An optimised hydraulic system, the **modularity** of components, various handling modes, overall structural ergonomics, the operator's access to controls are properly maintained in compliance with the work-place **safety** rules in force. **Easy maintenance** will enable the user to keep M21 in perfect **efficiency** for a long time.

[www.morisrl.it](http://www.morisrl.it)

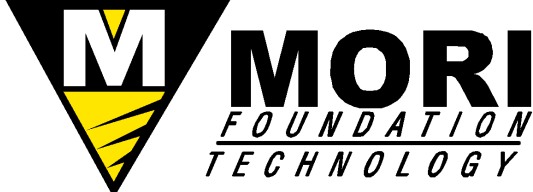
|   |       |   |         |      |
|---|-------|---|---------|------|
|  | SERIE | M | MODELLO | M21E |
|   | TYPE  |   | MODEL   |      |
|   | TYPE  |   | MODEL   |      |
|   | TYP   |   | TYP     |      |

### POWER PACK

| BASIC  | OPTIONALS                                     |
|--|---|
| <b>BASIC STRUCTURE</b>   |   |
| Skid   | Tired   |
|  | Crawler-mounted                               |
| <b>ELECTRIC MOTOR</b>  | <b>DIESEL ENGINE</b> (only to track movement) |
| kW/HP 45 / 63 @ 1500 rpm   | kW/HP 15 / 20 @ 3600 rpm                      |
| <b>KIT (3) HYDRAULIC NOSES FOR CONNECTION TO THE DRILLING UNIT</b> |   |

### DRILLING UNIT

| BASIC   | OPTIONALS                            |
|---|--------------------------------------|
| <b>CRAWLER TRACK</b>                                      |                                      |
| Variable track-gauge mm 750/1150                          |                                      |
| <b>MAST LIFTING BASIC UNIT</b>                            |                                      |
| Fixed support - hydraulic jacks                           |                                      |
| <b>MAST MOVEMENTS</b>                                     |                                      |
| Mast basic fifth well 90° - 0° - 90° with ratio-motor     |                                      |
| Mast fifth well 100° - 0° - 100°                          |                                      |
| Zoom mobile support 0 - 240 mm – lift with hydraulic jack |                                      |
| <b>MAST</b>   | <b>MAST EXTENSION</b>                |
| mm 1800 – stroke mm 1300                                  | mm 1000 – stroke mm 2300             |
| <b>ROTARY HEAD WITH TRAVELLING LIFT – SWIVEL</b>          |                                      |
| <b>RM 330</b> – Max. kgm/rpm 350/200                      | <b>RM 520</b> – Max. kgm/rpm 450/120 |

|   |       |          |         |             |
|---|-------|----------|---------|-------------|
|  | SERIE | <b>M</b> | MODELLO | <b>M21E</b> |
|   | TYPE  |          | MODEL   |             |
|   | TYPE  |          | MODEL   |             |
|   | TYP   |          | TYP     |             |

### PULL / THRUST

kg 2500 with motor reducer and continuous ring chain and shock absorber

### HYDRAULIC WINCH

Pull max kg 800

### BLOCKING CLAMP

mm 40/160

Unlocking hydraulic jack

### JIB WITH POULIES

mm 500

Hydraulic arrangement for services

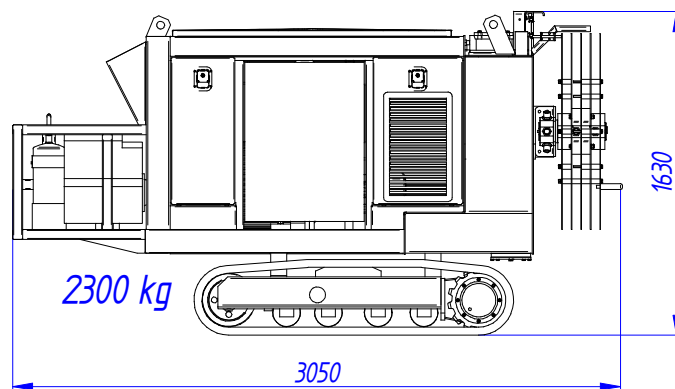
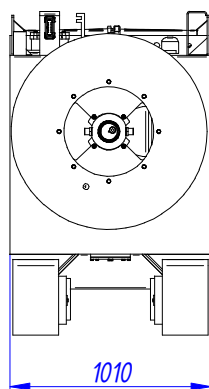
Mud – foam – high pressure pumps


Vertical injector

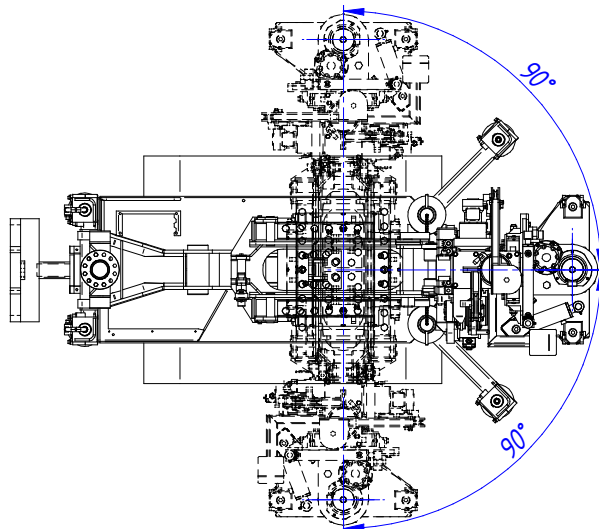
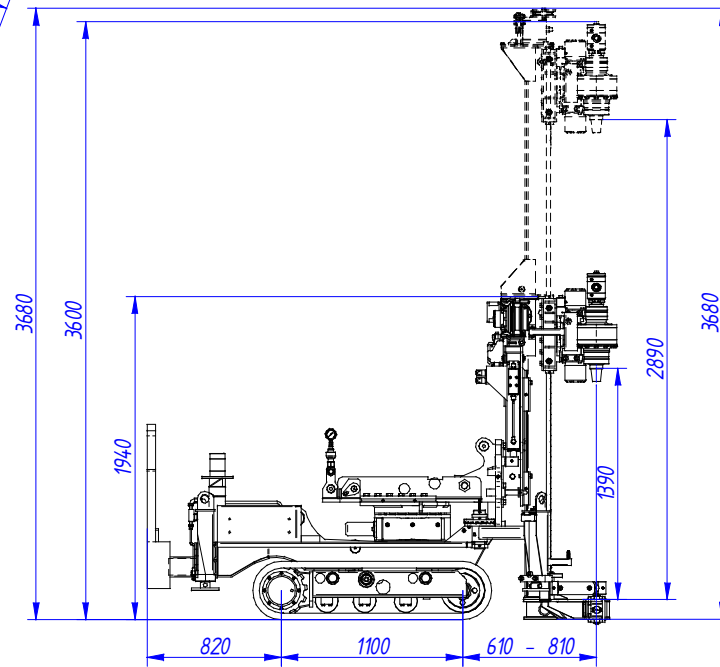
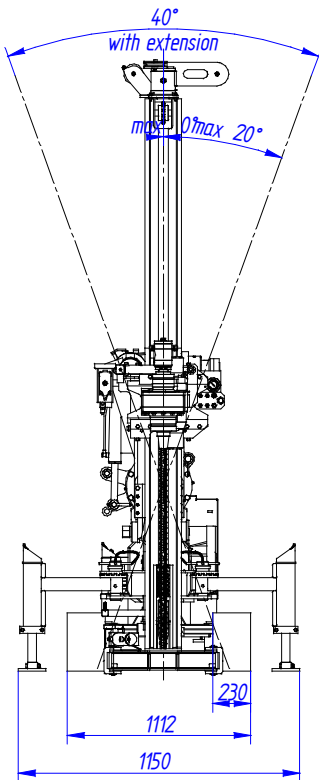
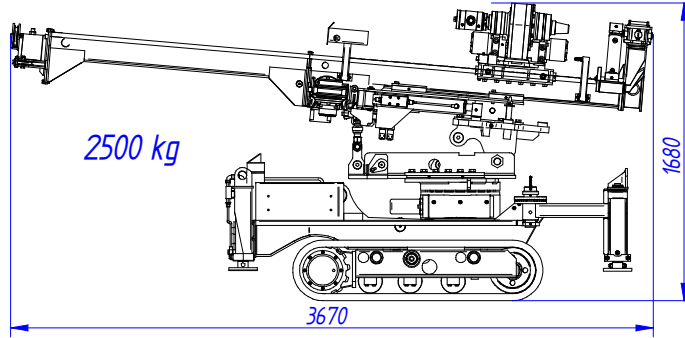
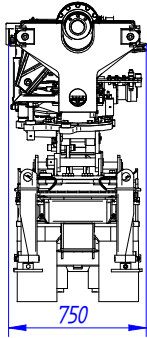
Line lubricator

Hydraulic extraction device

MORI radio remote control



|   |       |          |         |             |
|---|-------|----------|---------|-------------|
|  <b>MORI</b><br>FOUNDATION<br>TECHNOLOGY | SERIE | <b>M</b> | MODELLO | <b>M21E</b> |
|   | TYPE  |          | MODEL   |             |
|   | TYPE  |          | MODEL   |             |
|   | TYP   |          | TYP     |             |



MORI srl

63010 - CAMPOFILONE (AP) - Via Molino, 41 - ITALIA

Tel. ++39 (0)734 931099 Fax ++39 (0)734 931248 E-mail: morisrl@morisrl.it

C/F - P.IVA: 01692730441-Reg.Impr. Ascoli Piceno: 01692730441 - EEC VAT:IT 01692730441 Cap. Soc. € 12.000 i.v.