

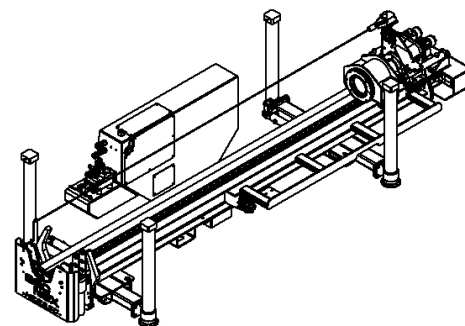
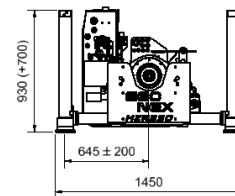
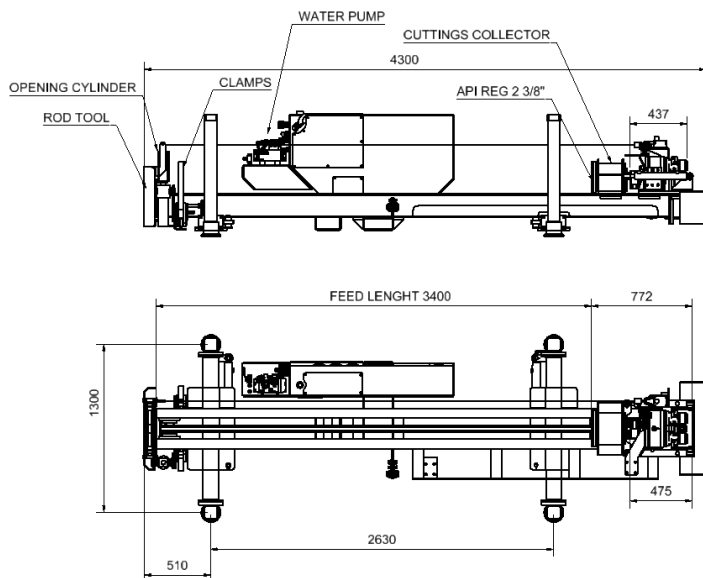
GEONEX HZR220

Horizontal DTH-drill rig

Geonex HZR220 is radio controlled compact horizontal DTH-drill rig for city and cable no-dig applications.

HORIZONTAL DTH-DRILL RIGS

DIMENSIONS:



TECHNICAL INFORMATION

MALLI	HZR220	OPTIONS
Casing diameter (mm)	140-219	• Waterpump HPW 200-30-45
Weight	1050 kg	• Cable controller
Length	4300 mm	• Jack leg anchors
Width	1450 mm	
Height (Jack legs in)	930 mm	
Feed force 250 bar	50 KN	
Feed speed (50 l/min) Rotation	max. 20 m/min	
Torque 1 gear 250 bar	6500 Nm	
Rotation torque 2 gear 250 bar	3250 Nm	
Rotation speed 1 gear 75 l/min	n.32 r/min	
Rotationspeed 2 gear 75 l/min	n.64 r/min	

