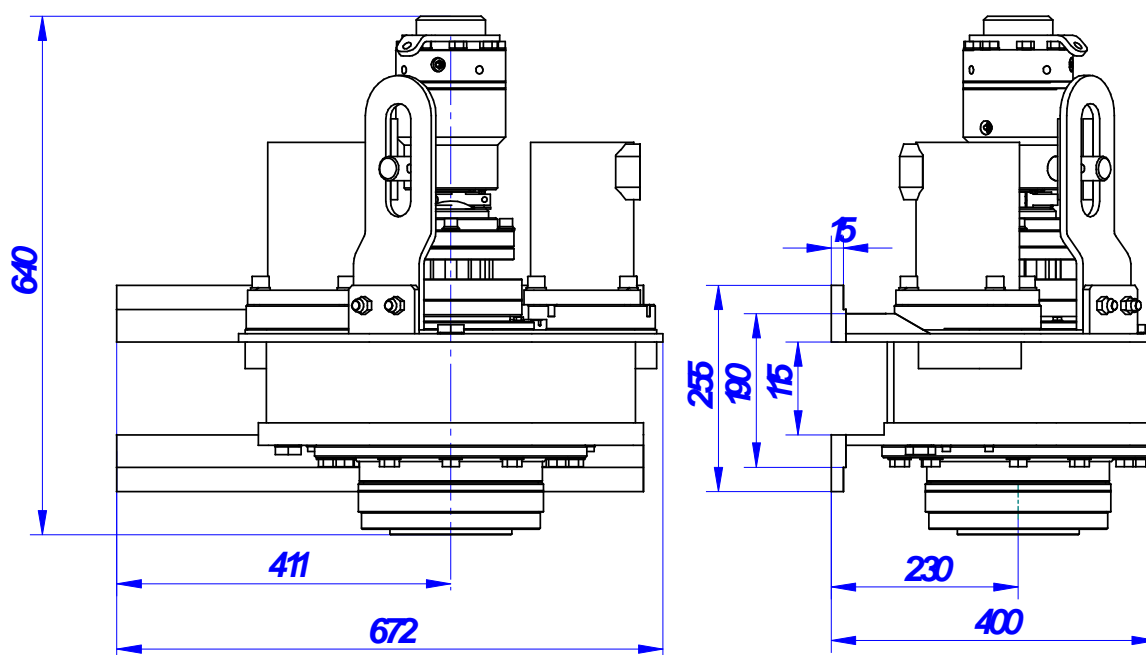


Rotary		RM 640	
	cod.:	B0 X05 00001 02	
	Tipo	RM 640	
Working pressure	Bar	230	
Nominal Flow	l/min	100	
Gears		2 Idrauliche	
		1°	2°
Torque	daN x m	640	320
Rev	rpm	60	120
Weight	Kg	250	
Passage water swivel	mm - inch	38,1 – 1 ½	



It can be assembled on the following machines:

M40 – M41 – P20 – S20

Numero documento:	Rev. 0	Compilato da: Ing. Antonello Bernabei	Approvato da: Dir. Fabio Mori
--------------------------	------------------	---	---