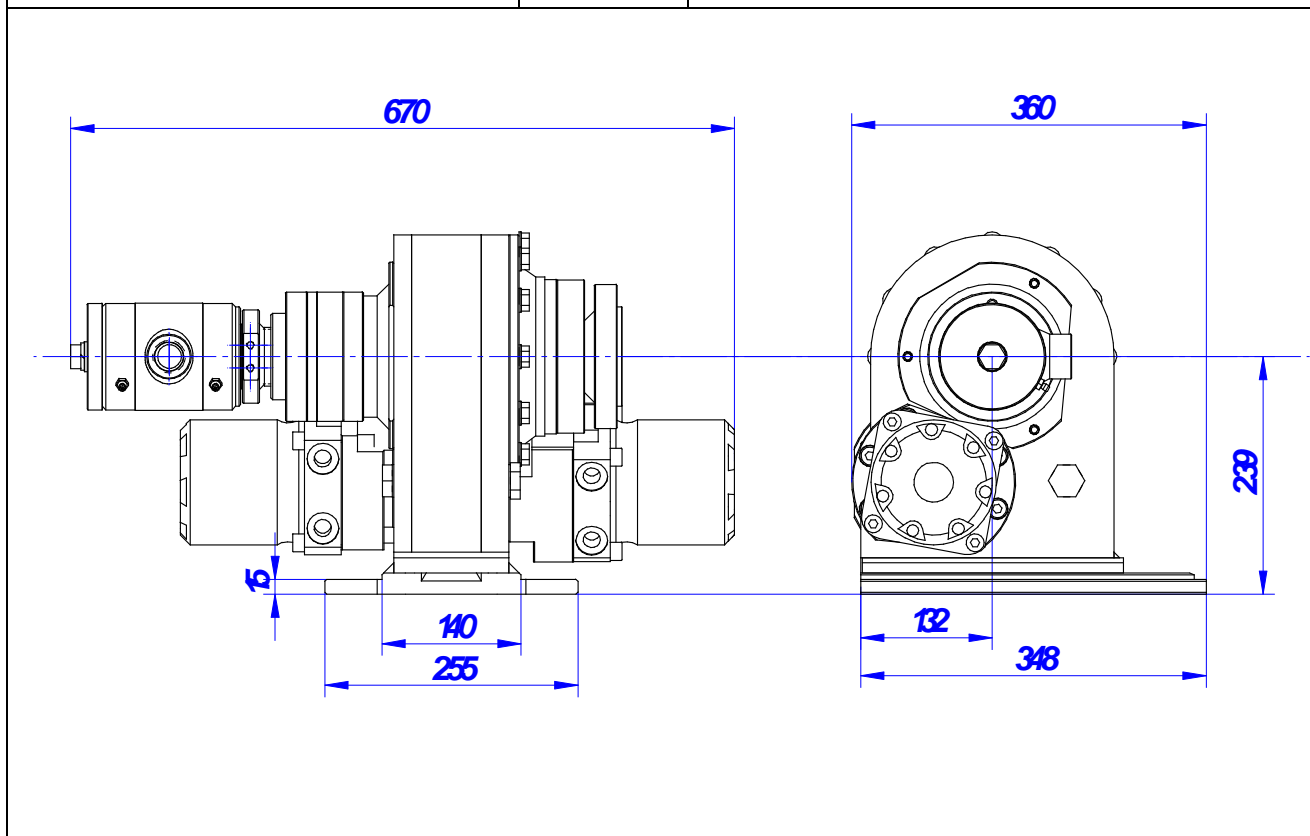


Rotary	RM 330	
	cod.:	B0 A01 00000 04
	Tipo	RM 330
Working tension	Bar	265
Nominal rate	l/min	50
Gears		2 hydraulic
		1° 2°
Torque	daN x m	350 175
Rev	Rpm	60 120
Dry weight	Kg	140
Flushing head passage	mm - inch	25,4 - 1



It can be assembled on the following machines:

M18 – M20 – M21

Numero documento:	Rev. 0	Compilato da: Ing. Antonello Bernabei	Approvato da: Dir. Fabio Mori
--------------------------	------------------	---	---