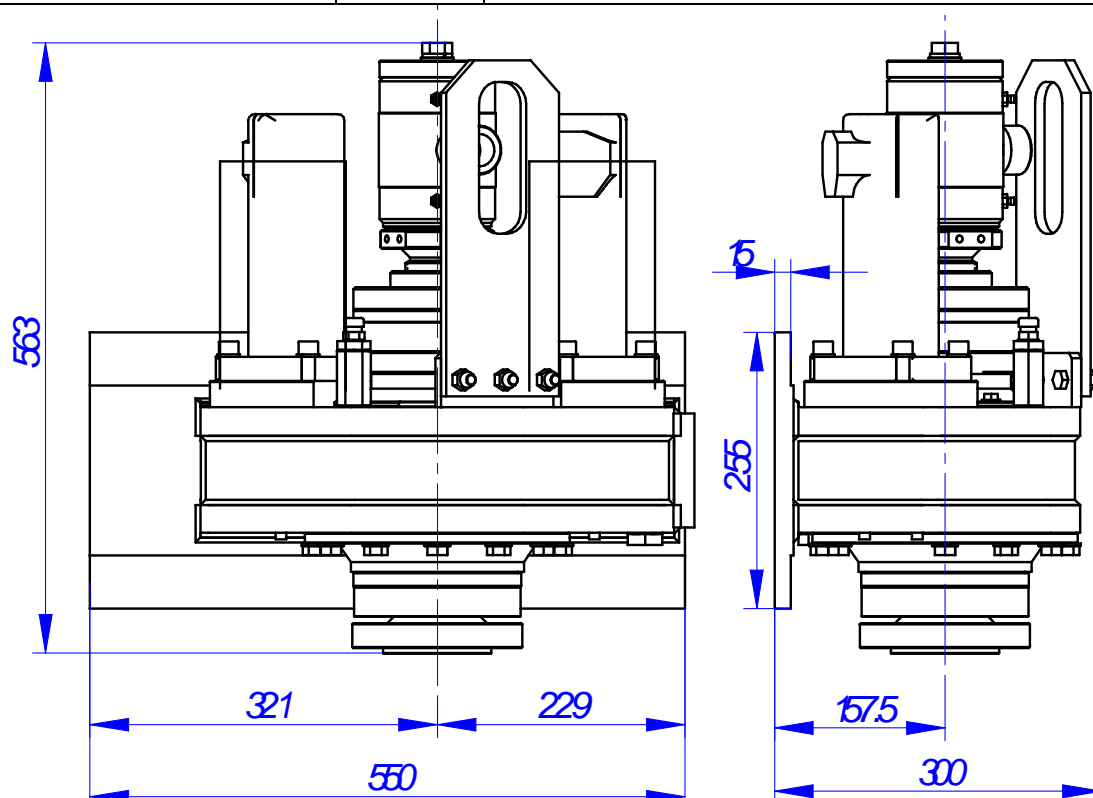


Rotary		RM 450	
	cod.:	B0 X03 00000 02	
	Tipo	RM 450	
Working tension	Bar	240	
Nominal rate	l/min	75	
Gears		2 hydraulic	
		1°	2°
Torque	daN x m	450	225
Rev	rpm	60	120
Weight	Kg	150	
Flushing head passage	mm - inch	25,4 - 1	



It can be assembled on the following machines:

M20 – M21

Numero documento:	Rev. 0	Compilato da: Ing. Antonello Bernabei	Approvato da: Dir. Fabio Mori
--------------------------	------------------	---	---