

 <p>MORI FOUNDATION TECHNOLOGY</p>	SERIE	<p>M</p>	MODELLO	<p>M21E</p>
	TYPE		MODEL	
	TYPE		MODEL	
	TYP		TYP	



The **M 21E** is characterised by excellent **versatility** and **compactness**. It has been specifically designed for the execution of micro-piles, tie rods, etc., in particularly uncomfortable and narrow internal and external working areas, thanks to its **separate power pack**. Electro-welded steel frames provide for its **sturdiness**. An optimised hydraulic system, the **modularity** of components, various handling modes, overall structural ergonomics, the operator's access to controls are properly maintained in compliance with the work-place **safety** rules in force. **Easy maintenance** will enable the user to keep M21 in perfect **efficiency** for a long time.

www.morisrl.it

	SERIE	M	MODELLO	M21E
	TYPE		MODEL	
	TYPE		MODEL	
	TYP		TYP	

POWER PACK

BASIC	OPTIONALS
BASIC STRUCTURE	
Skid	Tired
	Crawler-mounted
ELECTRIC MOTOR	DIESEL ENGINE (only to track movement)
kW/HP 45 / 63 @ 1500 rpm	kW/HP 15 / 20 @ 3600 rpm
KIT (3) HYDRAULIC NOSES FOR CONNECTION TO THE DRILLING UNIT	

DRILLING UNIT

BASIC	OPTIONALS
CRAWLER TRACK	
Variable track-gauge mm 750/1150	
MAST LIFTING BASIC UNIT	
Fixed support - hydraulic jacks	
MAST MOVEMENTS	
Mast basic fifth well 90° - 0° - 90° with ratio-motor	
Mast fifth well 100° - 0° - 100°	
Zoom mobile support 0 - 240 mm – lift with hydraulic jack	
MAST	MAST EXTENSION
mm 1800 – stroke mm 1300	mm 1000 – stroke mm 2300
ROTARY HEAD WITH TRAVELLING LIFT – SWIVEL	
RM 330 – Max. kgm/rpm 350/200	RM 520 – Max. kgm/rpm 450/120

	SERIE	M	MODELLO	M21E
	TYPE		MODEL	
	TYPE		MODEL	
	TYP		TYP	

PULL / THRUST

kg 2500 with motor reducer and continuous ring chain and shock absorber

HYDRAULIC WINCH

Pull max kg 800

BLOCKING CLAMP

mm 40/160

Unlocking hydraulic jack

JIB WITH POULIES

mm 500

Hydraulic arrangement for services

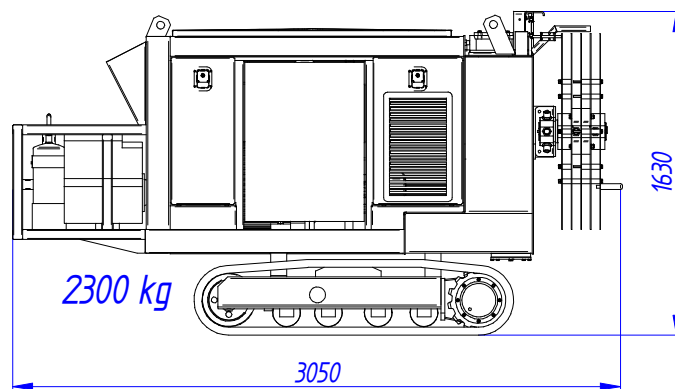
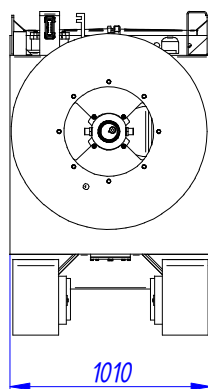
Mud – foam – high pressure pumps


Vertical injector

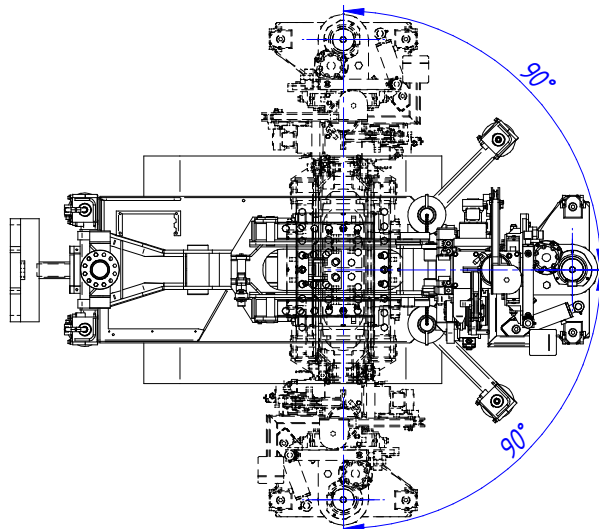
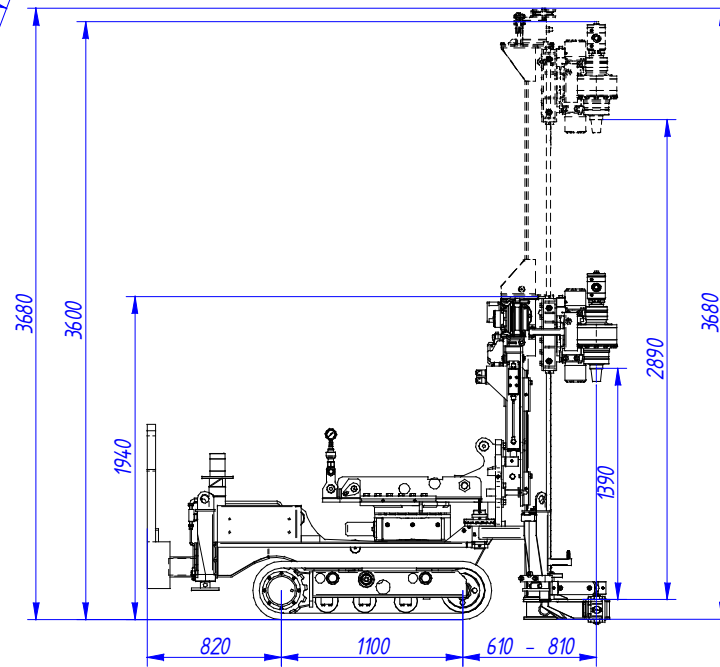
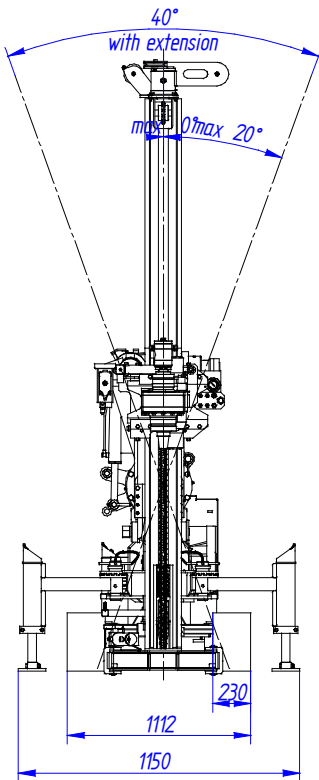
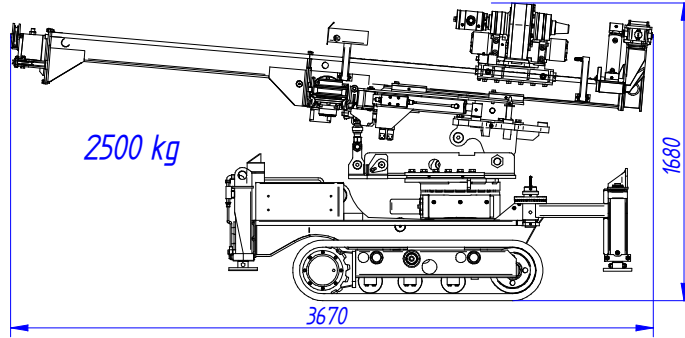
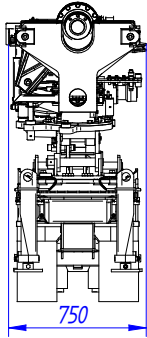
Line lubricator

Hydraulic extraction device

MORI radio remote control



 MORI FOUNDATION TECHNOLOGY	SERIE	M	MODELLO	M21E
	TYPE		MODEL	
	TYPE		MODEL	
	TYP		TYP	



MORI srl

63010 - CAMPOFILONE (AP) - Via Molino, 41 - ITALIA

Tel. ++39 (0)734 931099 Fax ++39 (0)734 931248 E-mail: morisrl@morisrl.it

C/F - P.IVA: 01692730441-Reg.Impr. Ascoli Piceno: 01692730441 - EEC VAT:IT 01692730441 Cap. Soc. € 12.000 i.v.